

TK34

3/4" Disc Thermostat

Operating Temperature Range (-25°C to + 120°C)

This thermostat comes in 3 variations: automatic operation, manual reset and with resistance based internal heater. This thermostat can be used in high current applications (up to 45A).

This thermostat can be built to either open or close its electrical contacts as the temperature increases. Once the temperature of the bimetal disc has returned to the specified reset temperature, the contacts will automatically return to their original state.

Besides its variety of standard configurations the thermostat can also be customized to the specific technical needs of the customer, assuring maximum design flexibility and usage in broad range of temperature control applications for consumer, industrial and commercial products.

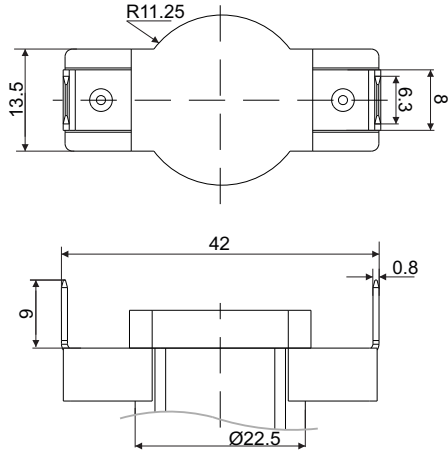
Contact Type: Normally Closed; Normally Open

Table 1.1 (MODEL)

CODE	CONTACT TYPE
A	Automatic Reset
M	Manual Reset *
R	Internal Heater **

Table 1.2 (TERMINALS)

T 01



T 02

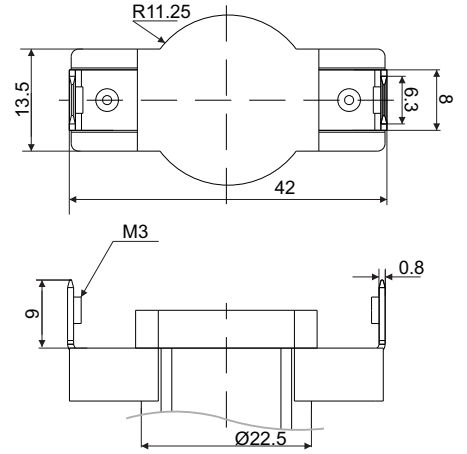
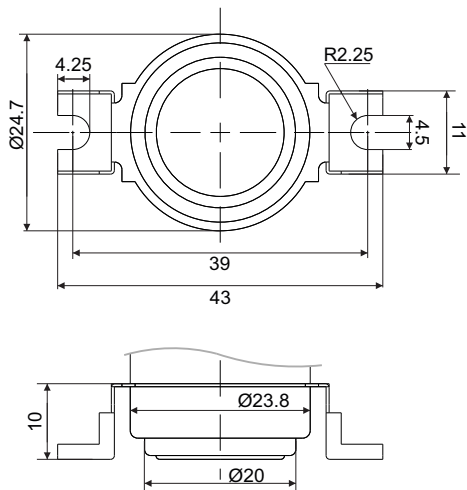
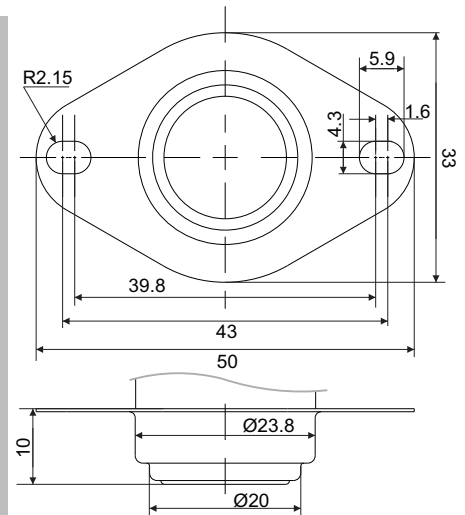


Table 1.3 (MOUNTING)

MG 01

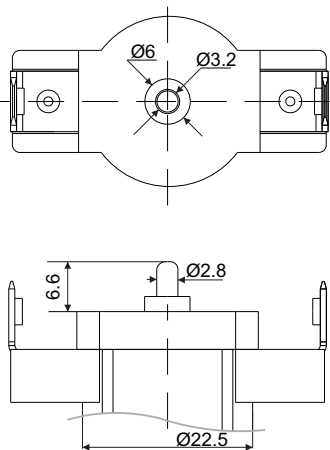


MG 02



*** Manual Reset Button Drawing**

*** (M)**



**** Internal Heater Terminals Drawing**

**** (R)**

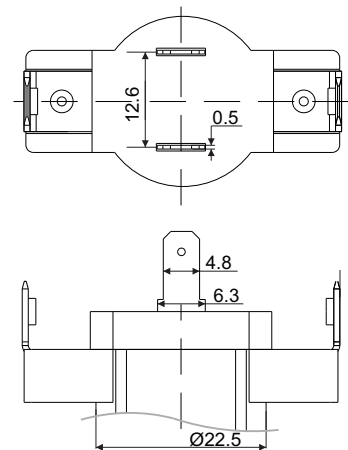


Table 1.4 (CONTACT TYPE AND CONTACT TRANSIENT RESISTANCE VALUE)

CODE	CONTACT TYPE	CONTACT TRANSIENT RESISTANCE, mOhm
1	Normally closed (NC)	≤50
2	Normally open (NO)	≤50

BASIC TECHNICAL DATA FOR TK34-A (Automatic) (-25°C - 120°C)

Parameter	Value
Rated voltage, V, not more	~250
Rated current, A, at power coeff. 0,95, not more	25
Maximum current, A, at power coeff. 0,95, not more	45
Number of automatic cycles, at rated current 25 A and power coeff. 0,95, not less than	100 000
Number of automatic cycles, at rated current 45 A and power coeff. 0,95, not less than	6 000
Operating temperature, °C	(-25) to 120
Tolerance of operating temperature, %, but not less than °C	±3; ±5
Reset temperature, lower than operating temperature on, °C not less than	10
Transient resistance, Ω, not more	0,05
Contact operating time, ms, not more	3
Electric strength of insulation, V, not less than	1500
Insulation resistance, MΩ, not less than	50
Heating speed, K/min	minimum-0,1; maximum-1,0
Degrees of protection provided by enclosure	IP4X

BASIC TECHNICAL DATA FOR TK34-M (Manual Reset) (50°C - 120°C)

Parameter	Value
Rated voltage, V, not more	~250
Rated current, A, at power coeff. 0,95, not more	16
Maximum current, A, at power coeff. 0,95, not more	40
Number of automatic cycles, at rated current 16 A and power coeff. 0,95, not less than	1 000
Number of automatic cycles, at rated current 40 A and power coeff. 0,95, not less than	500
Operating temperature, °C	50 to 120
Tolerance of operating temperature, %, but not less than °C	±3; ±5
Transient resistance, Ω, not more	0,05
Contact operating time, ms, not more	3
Electric strength of insulation, V, not less than	1500
Insulation resistance, MΩ, not less than	50
Heating speed, K/min	minimum-0,1; maximum-1,0
Degrees of protection provided by enclosure	IP4X

BASIC TECHNICAL DATA FOR TK34-R (with internal heater) (-25°C - 120°C)

Parameter	Value
Rated voltage, V, not more	~250
Rated current, A, at power coeff. 0,95, not more	16
Maximum current, A, at power coeff. 0,95, not more	25
Number of automatic cycles, at rated current 25 A and power coeff. 0,95, not less than	100 000
Operating temperature, °C	(-25) to 120
Tolerance of operating temperature, %, but not less than °C	±3; ±5
Transient resistance, Ω, not more	0,05
Contact operating time, ms, not more	3
Electric strength of insulation, V, not less than	1500
Insulation resistance, MΩ, not less than	50
Heating speed, K/min	minimum-0,1; maximum-1,0
Degrees of protection provided by enclosure	IP4X

PART ORDERING SYSTEM

TK34	X	TXX	MGXX	X	X±X***	X±X***
1	2	3	4	5	6	7

1	Thermostat model
2	Model (select from Table 1.1)
3	Terminals version (select from Table 1.2)
4	Mounting version (select from Table 1.3)
5	Contact type (select from Table 1.4)
6	Operating temperature value in °C and tolerance in ± %***
7	Reset temperature value in °C and tolerance in ± %***

Example: TK34-A-T01-MG01-1-60°C±3%-35°C±5%
 *Tolerance in % or °C, whichever numerical value is bigger.



Address: "Thermorex" SAS, 18, rue Pasquier, 75008 Paris, France
 tel.: +33(0)6 10 40 09 47, e-mail: info@thermorex.fr, marketing@thermorex.fr

Manufacturing plant: "Thermorex" CJSC, 24/41 Fuchik str., 0048, Yerevan, Armenia

tel.: +37410 39 58 84, 37410 34 93 51, fax: +37410 34 98 86, e-mail: info@thermorex.org, marketing@thermorex.org

www.thermorex.org

