

BASIC TECHNICAL DATA SPECIFIC FOR TKP-1; TKP-2; TKP-3

Parameter	Value
Rated voltage, V, not more	~250
Rated current, A, at power coeff. 0,95, not more	16; 10
Rated current, A, at power coeff. 0,6, not more	2,6; 1,6
Number of automatic cycles, at rated current 16 (2,6) A and power coeff. 0,95, not less than	100 000
Control ranges, °C	min. 60; max. 225*
Reset temperature, lower than operating temperature, on °C	5; 8; 10; 15
Tolerance of operating temperature, on °C	± 3; ± 5; ± 8; ± 10
Transient resistance, Ω, not more	0,01; 0,05
Electric strength of insulation, V, not less than	1500
Insulation resistance, MΩ, not less than	50
Turning range	270°; 306°
Heating speed, K/min	1,0

*Operating temperature range can be customized according to customers' needs

BASIC TECHNICAL DATA SPECIFIC FOR TKP (Current Sensitive)

Parameter	Value
Rated voltage, V, not more	~250
Rated current, A, at power coeff. 0,95, not more	16; 10
Rated current, A, at power coeff. 0,6, not more	2,6; 1,6
Number of automatic cycles, at rated current 16 (2,6) A and power coeff. 0,95, not less than	100 000
Operating temperature, ranges, °C	-25 - +250**
Reset temperature, lower than operating temperature, on °C	15
Tolerance of operating temperature, on °C	Low value ± 20; High value ± 10
Transient resistance, Ω, not more	0,15
Electric strength of insulation, V, not less than	1500
Insulation resistance, MΩ, not less than	50
Turning range	270°; 306°
Heating speed, K/min	1,0

**Operating temperature range can be customized according to customers' needs

Table 1.1 (CONTACT TYPE AND CONTACT TRANSIENT RESISTANCE VALUE)

CODE	CONTACT TYPE	CONTACT TRANSIENT RESISTANCE, mOhm
1	Normally closed (NC)	≤50
2	Normally open (NO)	≤50
3	Normally closed (NC)	≤10
4	Normally open (NO)	≤10

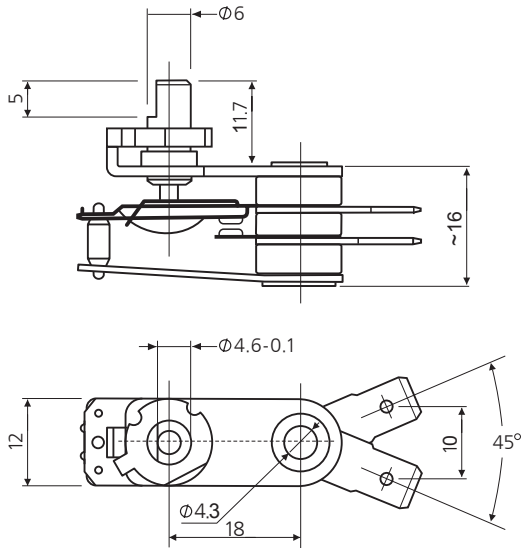
PART ORDERING SYSTEM

TKP	MGX	X	X - X	X
1	2	3	4	5

1	Thermostat type: TKP-1; TKP-2; TKP-3; TKP CS (Current Sensitive)
2	Mounting: A - with one mounting hole; B- with three mounting holes (Both mounting versions are applicable to all types)
3	Contact type and contact transient resistance value (select from Table 1.1)
4	Operating temperature range in °C
5	Rated current, A

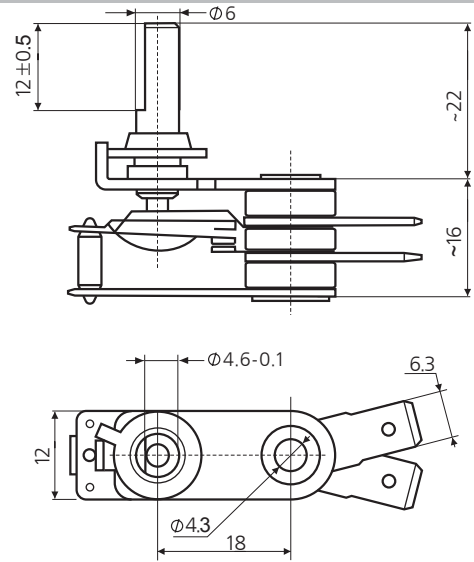
Example: TKP - 1 - MGA - 1 - 0°C - 60°C - 10

TKP-1



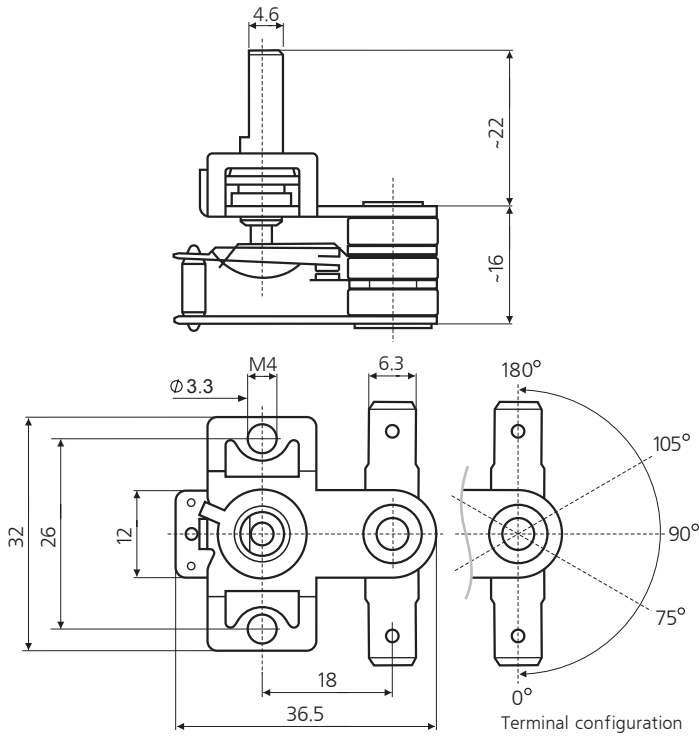
-45°C to + 120°C (with plastic knob)

TKP-2



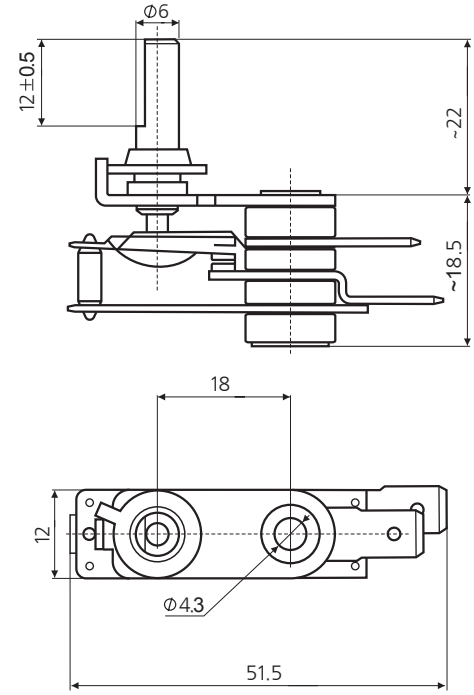
-45°C to + 120°C (with plastic knob)

TKP-3



-45°C to + 250°C (with brass knob)

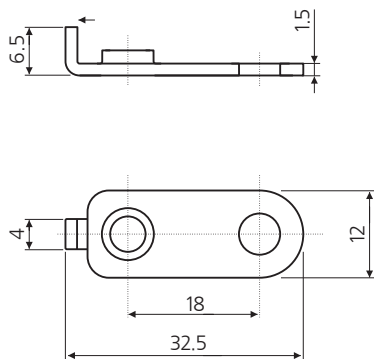
TKP(CS)



Note: For all types terminal and knob configurations can be customized according to customers' needs

Mounting

MGA



MGB

