

## BASIC TECHNICAL DATA

Parameter	Value
Rated voltage, V, not more	~250
Rated current, A, at power coeff. 0,95, not more	16
Rated current, A, at power coeff. 0,6, not more	10
Number of cycles, at rated current 16 A and power coeff. 0,95,	1
Operating temperature, °C	30 to 250
Tolerance of operating temperature, %, but not less °C	± 3
Temperature of self-reset	≤ (-25 °C)
Transient resistance, Ω, not more	0,05
Contact operating time, ms, not more	3
Electric strength of insulation, V, not less than	1500
Insulation resistance, MΩ, not less than	50
Heating speed, K/min	minimum-0,1; maximum-1,0
Degrees of protection provided by enclosure	IP4X; IP64

## PART ORDERING SYSTEM

<b>TK320S</b>	<b>TX*</b>	<b>MGX**</b>	<b>BXX</b>	<b>X±X***</b>
<b>1</b>	<b>2</b>	<b>3</b>	<b>4</b>	<b>5</b>

<b>1</b>	Thermostat model
<b>2</b>	Terminal version (select from Table 1.1)
<b>3</b>	Mounting version (select from Table 1.2)
<b>4</b>	Body version (select from Table 1.3)
<b>5</b>	Operating temperature value in °C and tolerance in ± %***

**Example:** TK320S-T01-MG04-B2C-90°C ± 3%

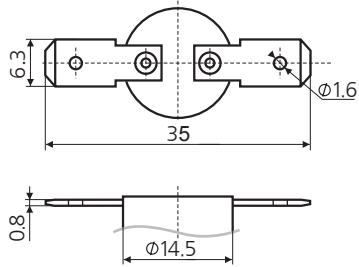
\*For wire terminals, lead wire parameters must be specified when placing an order: insulation type, cross-section area; ends type; length; etc.

\*\*For screw cap mountings, screw parameters must be specified when placing an order.

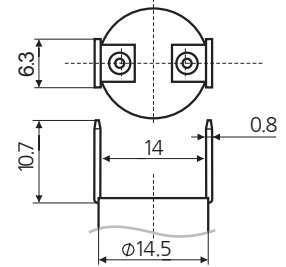
\*\*\*Tolerance in % or °C, whichever numerical value is bigger.

**Table 1.1 (TERMINALS)**

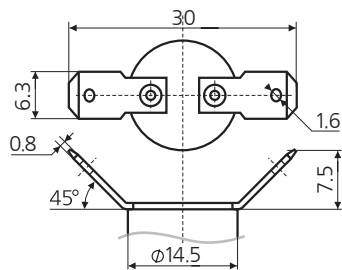
**T 01**



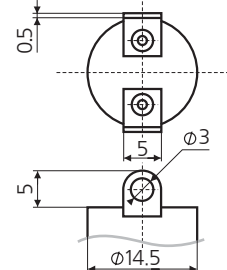
**T 02**



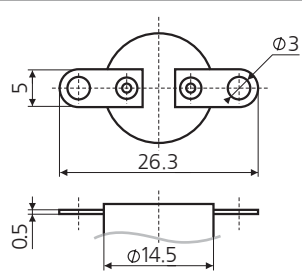
**T 03**



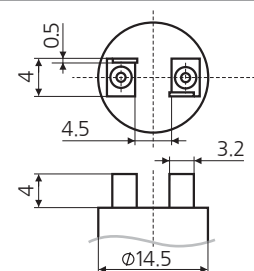
**T 04**



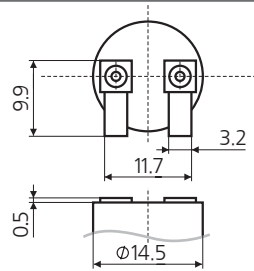
**T 05**



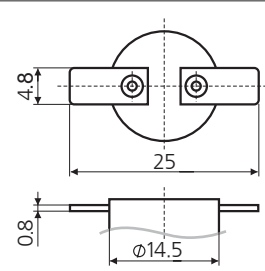
**T 06**



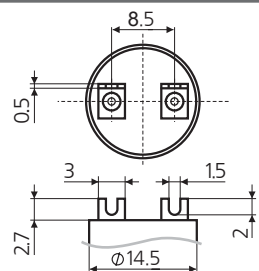
**T 07**



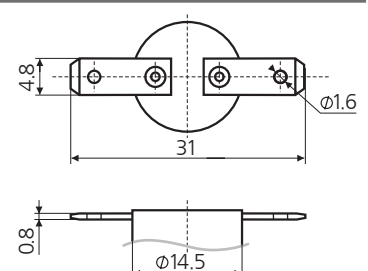
**T 08**



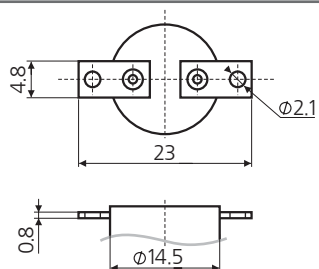
**T 09**



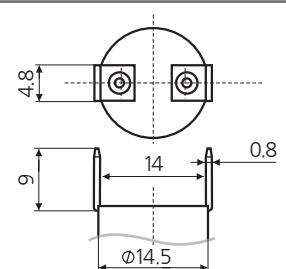
**T 10**



**T 11**

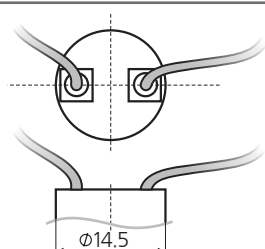


**T 12**



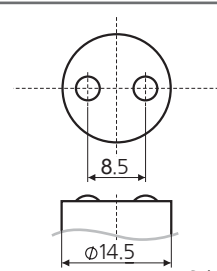
**T 13**

Wire standard length: 150 mm



Wire information to be specified on the order form (type; cross-section; lengths; stripping)  
The only option for TK24 (-45-+10)

**T 14**

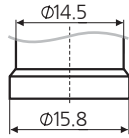


Soldering balls

**Table 1.2 (MOUNTING)**

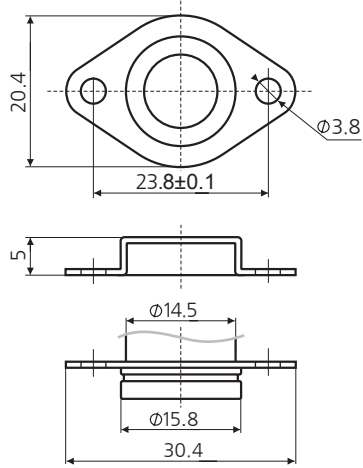
**MG 00**

NO MOUNTING

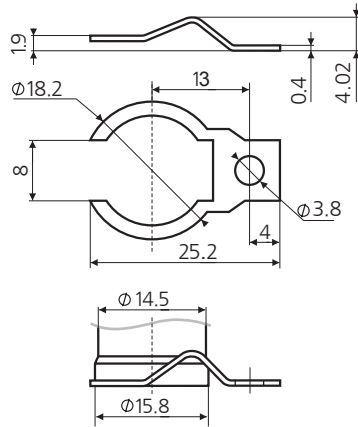


**MG 02**

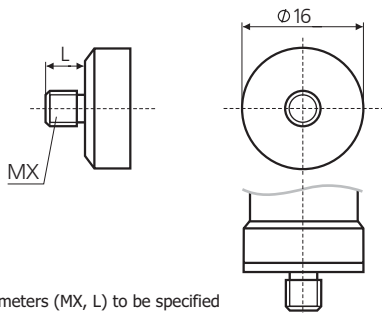
CAP-FLANGE



**MG 04**



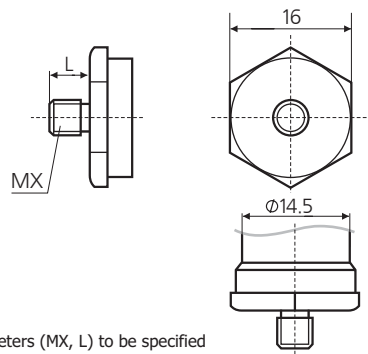
**MG 06**



Screw parameters (MX, L) to be specified on the order form

**MG 08**

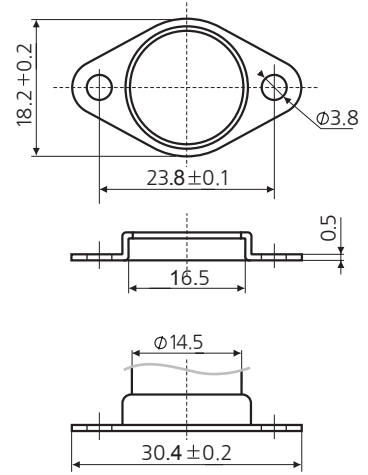
SCREW CAP HEXAHEDRAL 16



Screw parameters (MX, L) to be specified on the order form

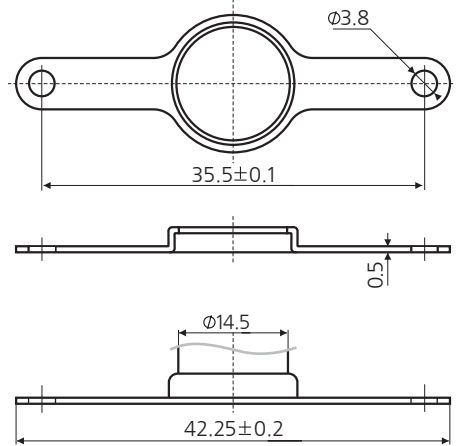
**MG 01**

ROTATION OR FIXED CLIP



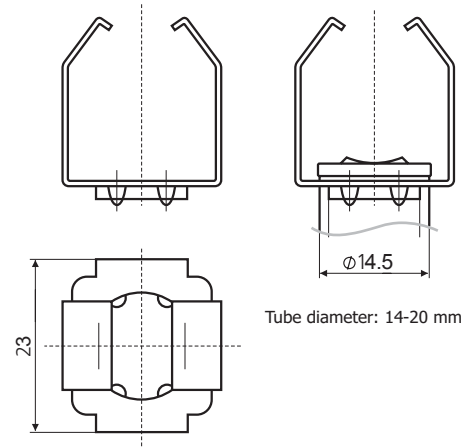
**MG 03**

ROTATION CLIP



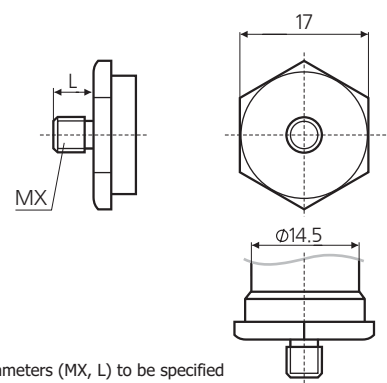
**MG 05**

TUBE MOUNTING



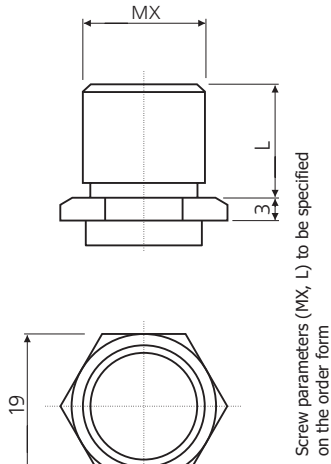
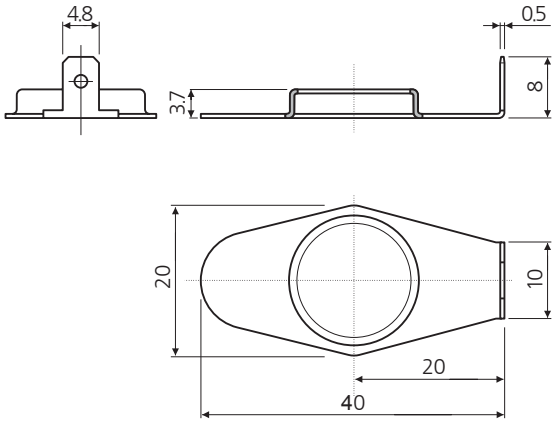
**MG 07**

SCREW CAP HEXAHEDRAL 17

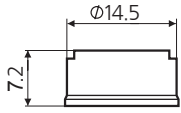

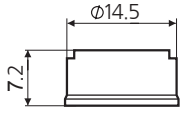
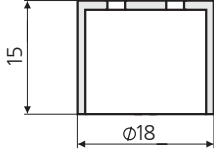
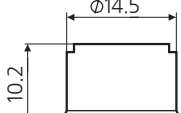
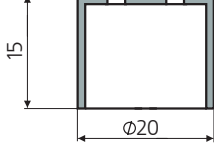
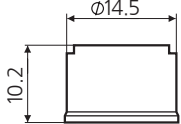
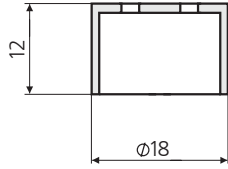
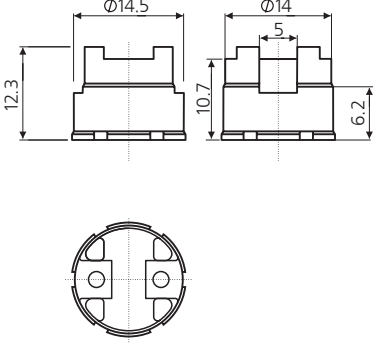
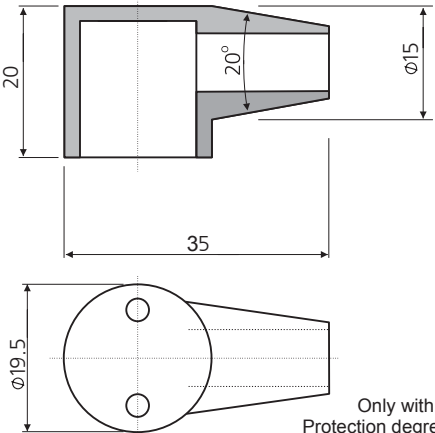


Screw parameters (MX, L) to be specified on the order form

**Table 1.2 (MOUNTING)**

<p><b>MG 09</b> SCREW CAP HEXAHEDRAL 19</p>	 <p>Screw parameters (MX, L) to be specified on the order form</p>	<p><b>MG 10</b> WITH GROUNDING</p>	
---	---	--	--

**Table 1.3 (BODY and/or CASE)**

<p><b>B1P</b> PLASTIC BODY</p>		<p><b>B3S</b> STEEL CASING</p>	 <p>Only with lead wires Protection degree IP64</p>
<p><b>B1C</b> CERAMIC BODY</p>		<p><b>B4P</b> PLASTIC BODY</p>	 <p>Only with lead wires and screw caps Protection degree IP64</p>
<p><b>B2P</b> PLASTIC BODY</p>		<p><b>B4C</b> CERAMIC BODY</p>	 <p>Only with lead wires and screw caps Protection degree IP64</p>
<p><b>B2C</b> CERAMIC BODY</p>		<p><b>B5P</b> PLASTIC BODY</p>	 <p>Only with lead wires Protection degree IP64</p>
<p><b>B3C</b> CERAMIC BODY</p>		<p><b>B6S</b> SILICONE CASING</p>	 <p>Only with cables Protection degree IP64</p>